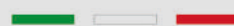


BECCHETTI BAL

dal 1882. le maniglie.



DESIGN BY STEFANO PASOTTI

C

O

L

O

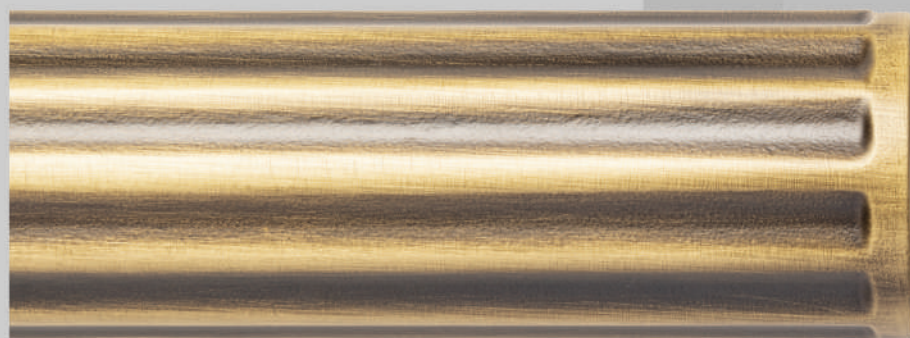
N

N

A

T

O



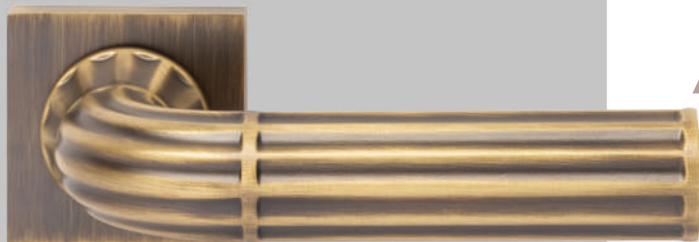
## COLONNATO HANDLE

*Handcrafting*

### CLASSICAL ART

Art!

Art has been part of our world since the dawn of time and it has evolved in very different ways depending on the civilizations that have interpreted it. The **Colonnato** handle is inspired by what we call "classic art".



### FINISHES



Natural polished brass



Antique nickel

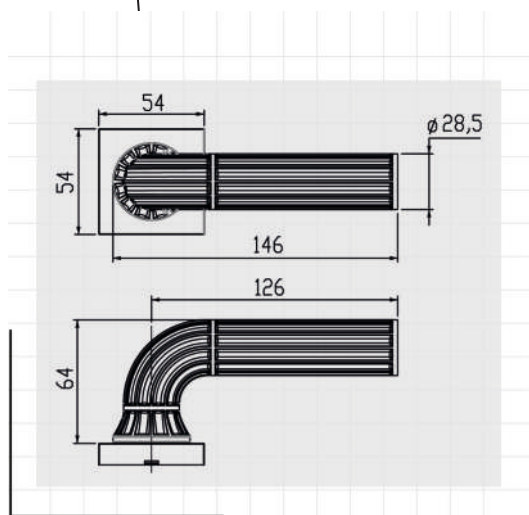


Matt yester bronze



PVD Copper

*made  
in  
Italy*



### DESCRIPTION

Handle made in **Brass** obtained through a forging process and resumption of specific mechanical machining for squared rose assembly, chosen to recall a column's pedestal.

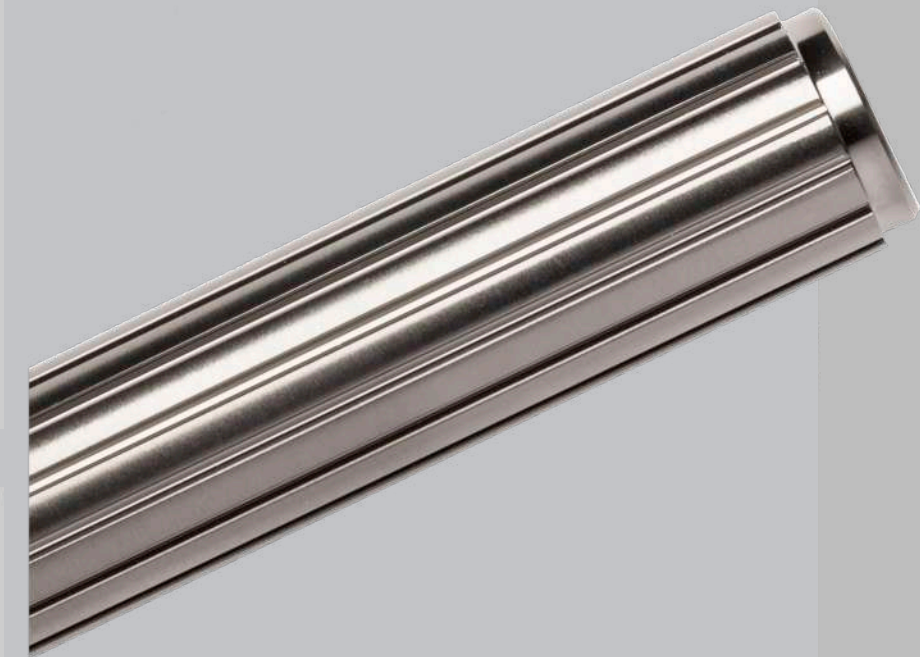
C

R

O

N

O



## CRONO HANDLE

*Handcrafting*

### MINIMAL ART

Time.  
Time is an essential element in our lives.  
It exists, but we cannot see it.  
However, we are able to measure it  
elements from where we started for the  
creation of **Crono** handle.



### FINISHES



Satin Chrome



Matt satin laquered brass

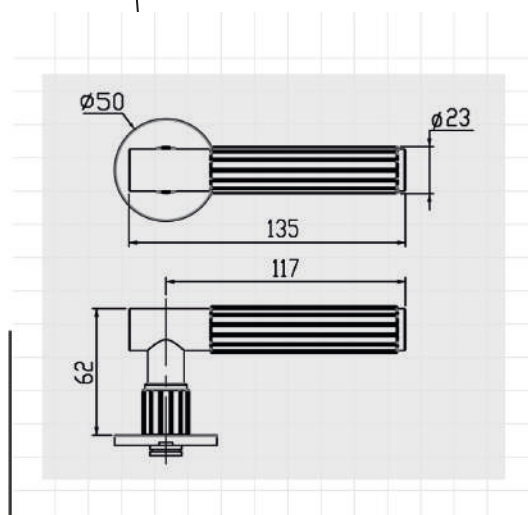


PVD Graphite



Polished Nickel

*made  
in  
Italy*



### DESCRIPTION

Handle made in **Brass** from a specific extruded design bar that recalls a chronometer crown.  
Coupled on a low profile round rose.  
Possibility to combine it with the thumb-turn styled in the same way.